












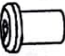

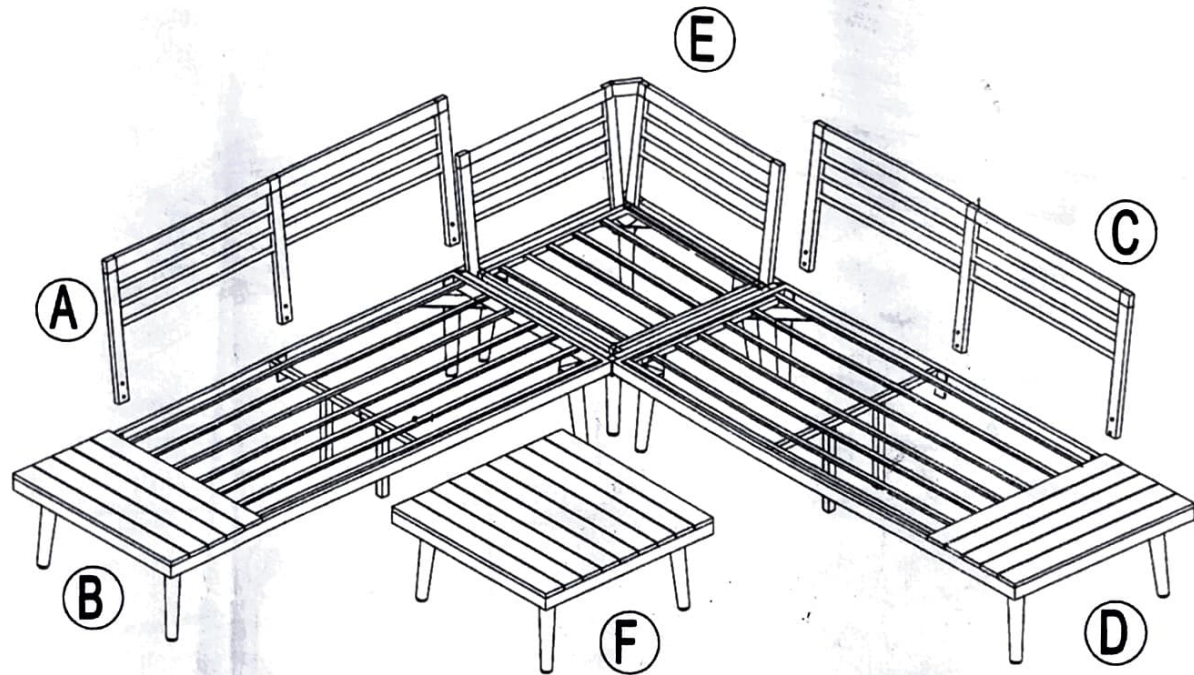


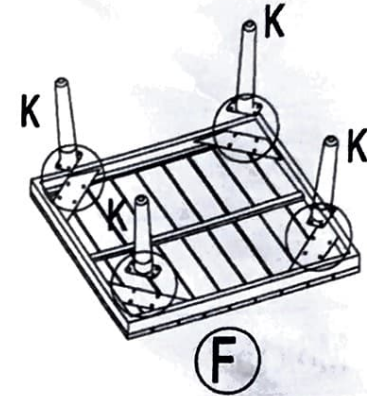
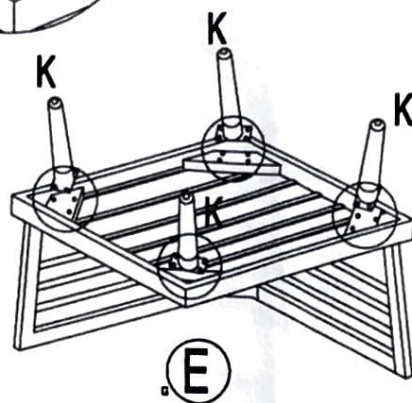
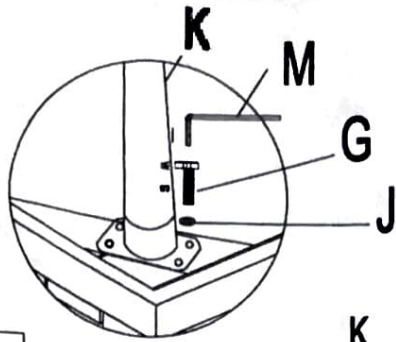
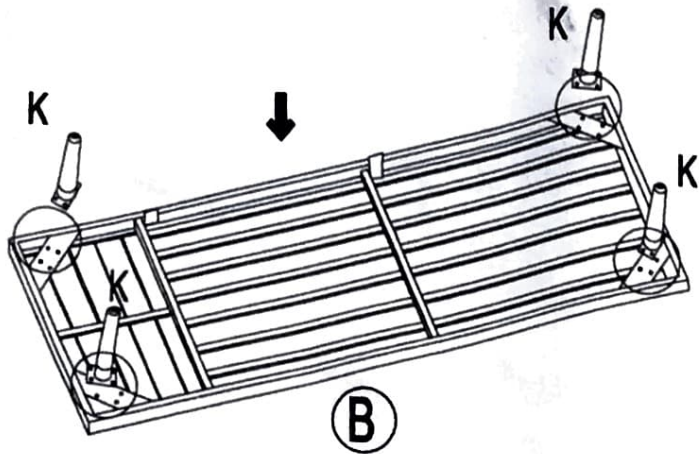
ASSEMBLY INSTRUCTIONS

A		01
B		01
C		01
D		01
E		01
F		01
G	 M6x15	64
H	 M6x20	06
I	 M6x50	10
J	 7x16x1	80
K		16
L		02
M		02
O		06
P		04



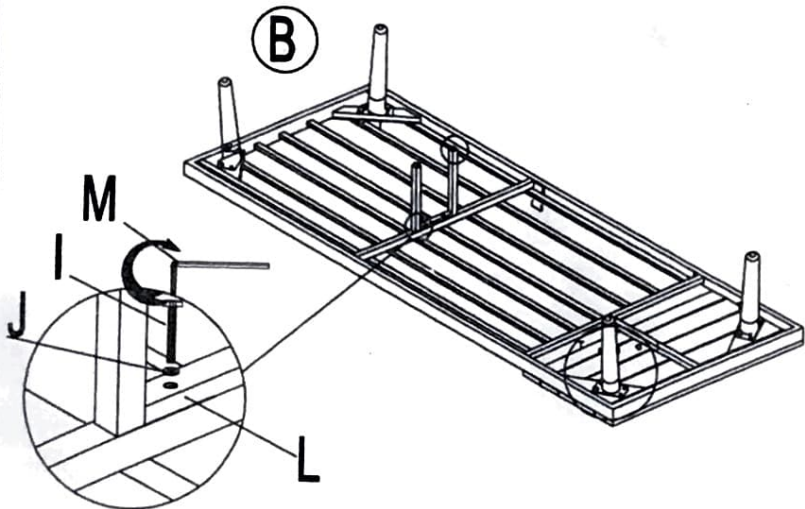
- | | | | | |
|----------|-----------------|------------------|--------|---|
| 1 | G x 64
M6x15 | J x 64
7x16x1 | K x 16 | M |
|----------|-----------------|------------------|--------|---|

When you install the legs,
Remember to rotate the tilted side of the legs outside



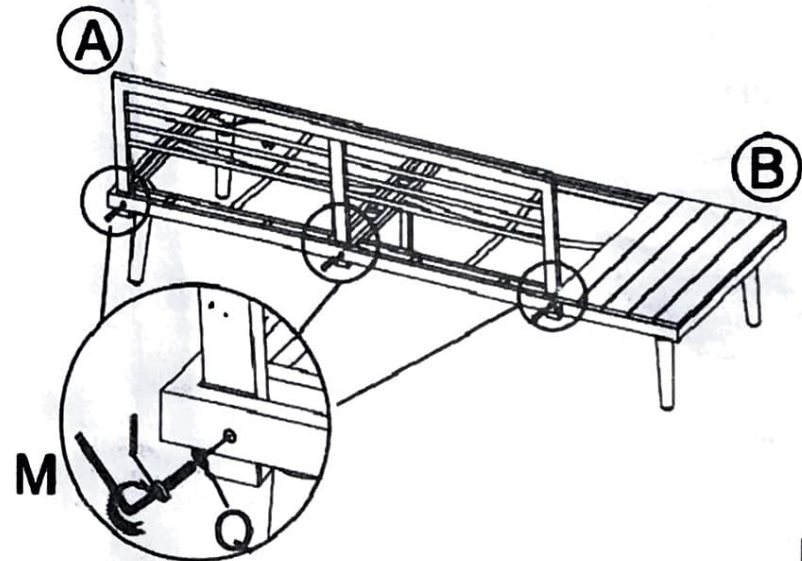
Repeat the same process with the frame D

- | | | | | |
|----------|-----------------|------------------|--------|---|
| 2 | I x 04
M6x50 | J x 04
7x16x1 | L x 02 | M |
|----------|-----------------|------------------|--------|---|



Repeat the same process with the frame D

- | | | | |
|----------|-----------------|------------------|---|
| 3 | I x 06
M6x50 | J x 06
7x16x1 | M |
|----------|-----------------|------------------|---|



Repeat the same process with the frame D and C

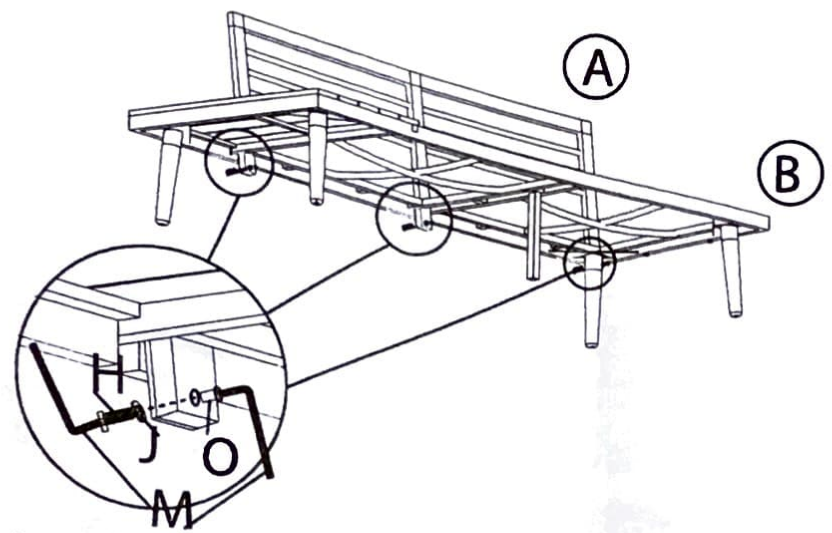
4

Hx06
M6x20

Jx6
7x16x1

M

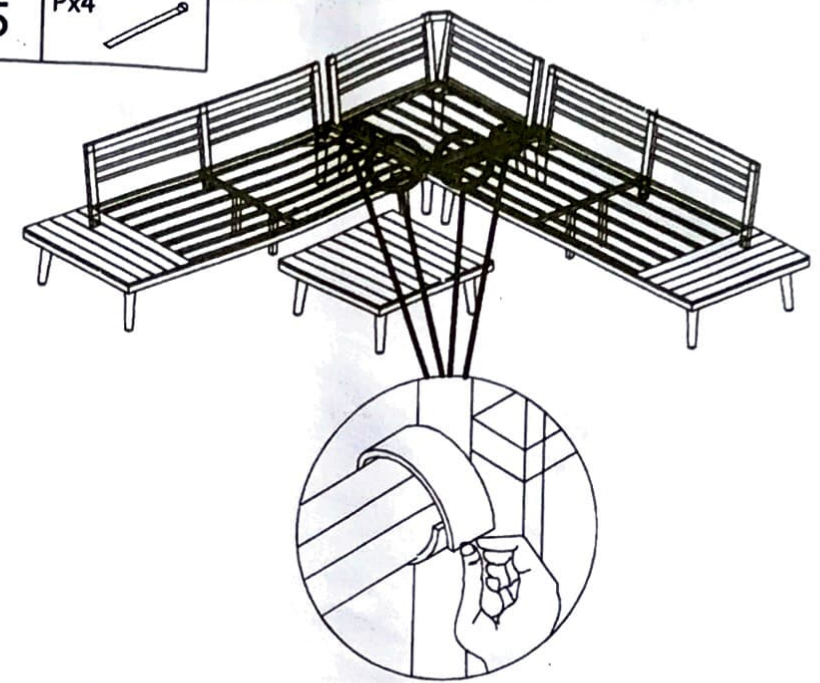
Ox6



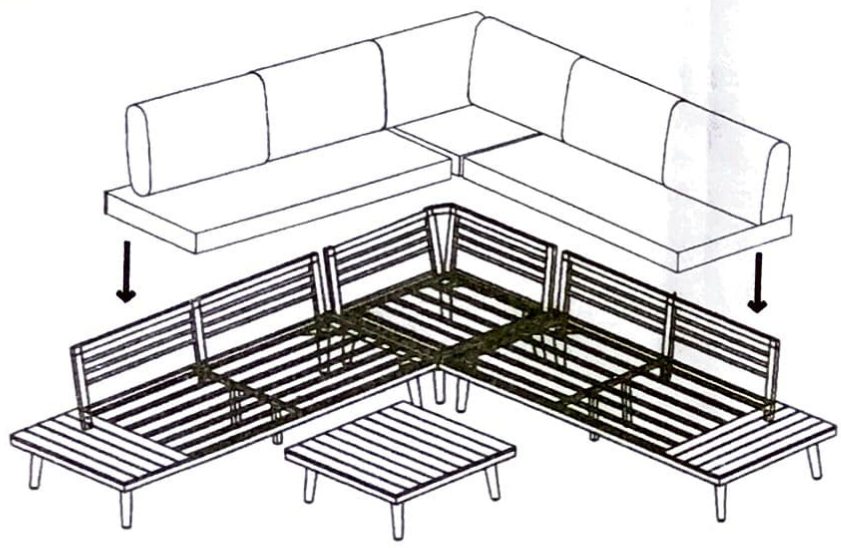
Repeat the same process with the frame D and C

5

Px4



6



7

